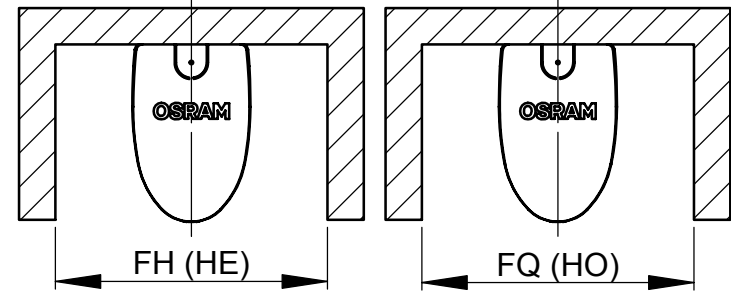
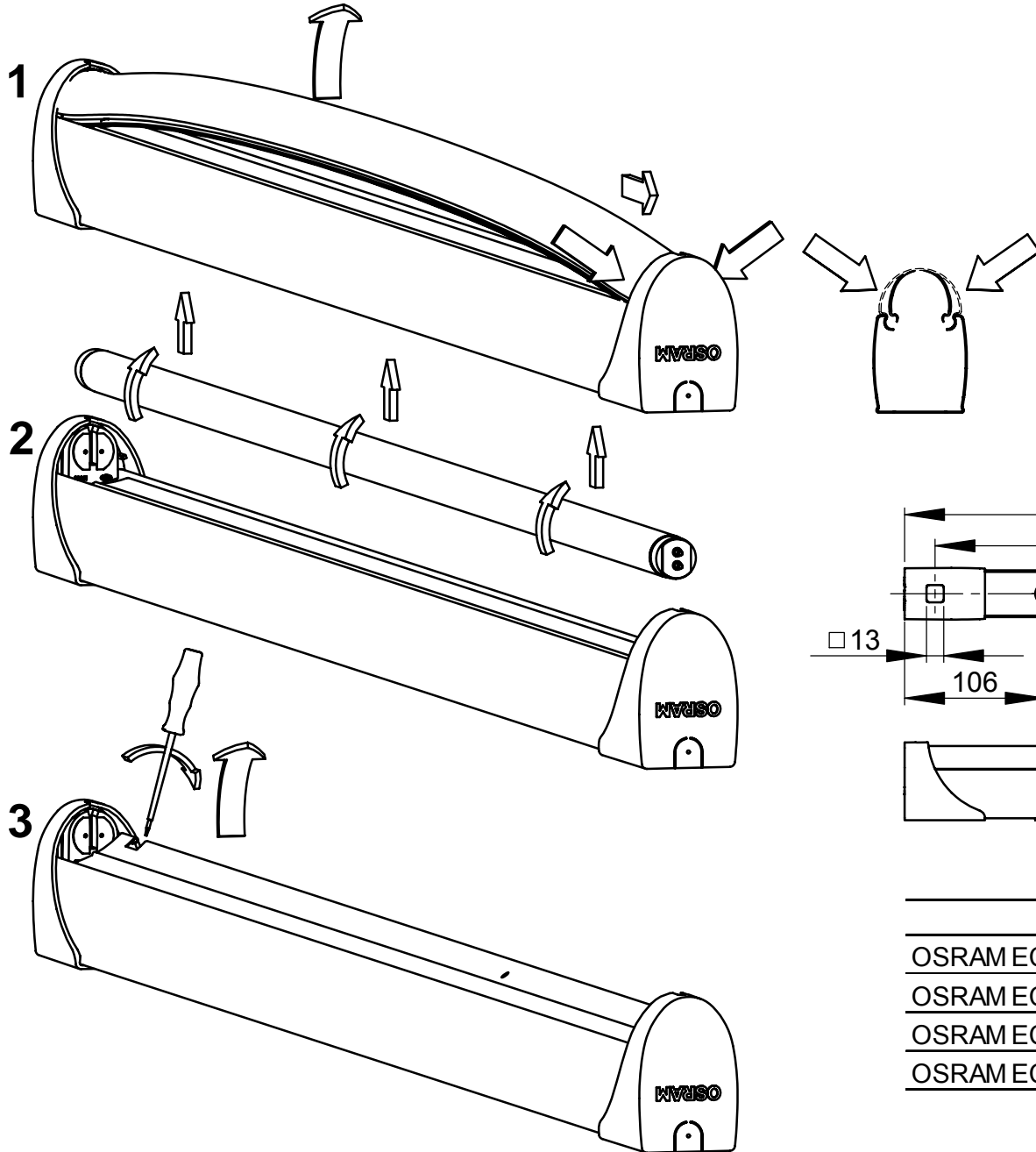
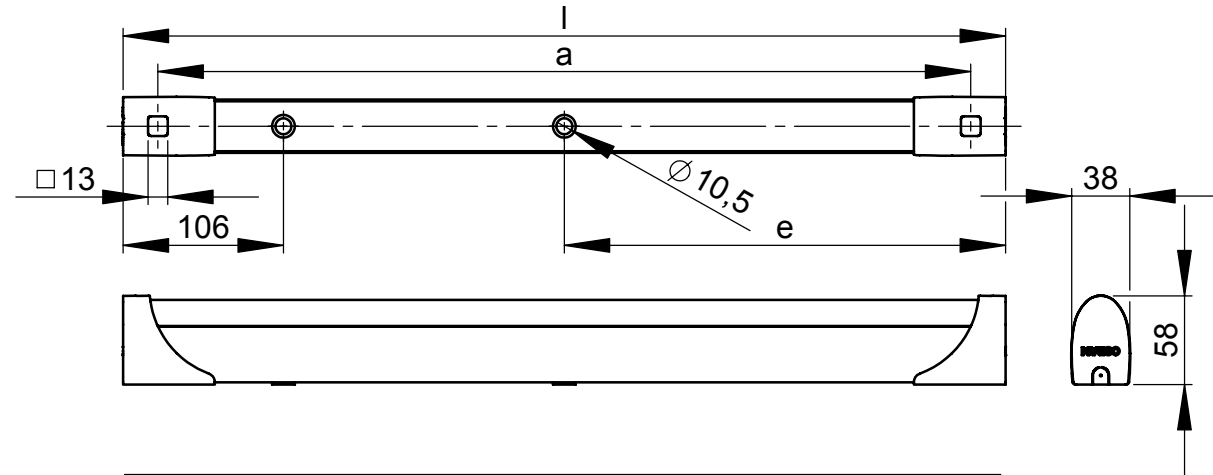


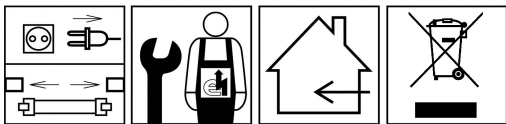
# OSRAM ECOPACK® -T5, -T5 DIM, -T5 DALI



80W:  $\geq 200\text{mm}$   
 54W:  $\geq 120\text{mm}$   
 39W:  $\geq 80\text{mm}$   
 49W, 24W:  $\geq 50\text{mm}$



	l [mm]	a [mm]	e [mm]
OSRAM ECOPACK® -T5 14/24W	584	538	-
OSRAM ECOPACK® -T5 21/39W	884	838	478
OSRAM ECOPACK® -T5 28/54W	1184	1138	592
OSRAM ECOPACK® -T5 35/80W	1484	1438	742



OSRAM GmbH  
 Steinere Furt 62  
 86167 Augsburg, Germany  
[www.osram.com](http://www.osram.com)

