

L 58 W/965

LUMILUX DE LUXE T8 | Tubular fluorescent lamps 26 mm, with G13 bases



- Ideal where color rendering is an important factor
- Public buildings
- Shops
- Supermarkets and department stores
- Industry

Product benefits

- Excellent color rendering
- Natural colors
- Available in many different light colors (3,000...6,500 K) for every application and preference
- High luminous flux

Product features

- Very good color rendering group: 1A ($R_a: \geq 90$)
- Long service life: up to 16,000 h (with preheat ECG)
- Dimmable



Technical data

Electrical data

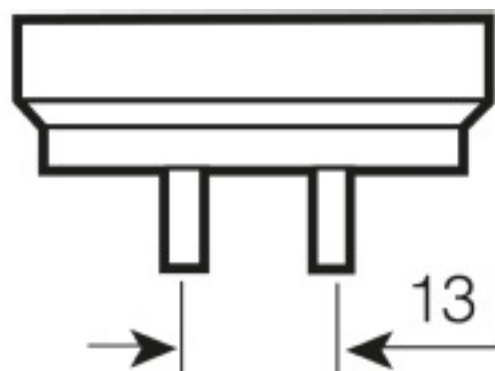
| | |
|--|---|
| Nominal wattage | 58 W |
| Rated lamp efficacy (HF data) | Under clarification by authority and standardization body |
| Rated lamp efficacy (standard condition) | 78 lm/W |
| Rated wattage | 58 W |

Light technical data

| | |
|--|-------------------------------|
| Color rendering index Ra | >=90 |
| Rated luminous flux | 4550 lm |
| Luminous flux at 25 °C | 4550 lm |
| Light color | 965 |
| Color temperature | 6500 K |
| Nominal luminous flux | 4550 lm |
| Light color as per EN 12464-1 | LUMILUX DE LUXE Cool Daylight |
| Rated LLMF at 2,000 h | 0.92 |
| Rated LLMF at 4,000 h | 0.90 |
| Rated LLMF at 6,000 h | 0.88 |
| Rated LLMF at 8,000 h | 0.86 |
| Rated LLMF at 12,000 h | 0.85 |
| Color coordinates chromaticity diagram | 0.313/0.327 |

Dimensions & weight

| | |
|---|------------|
| Tube diameter | 26 mm |
| Length | 1500.0 mm |
| Length with base excl. base pins/connection | 1500.00 mm |
| Diameter | 26.0 mm |



G13
IEC 7004-51
DIN 49653 T1

Product line drawing with letters

Base

Colors & materials

| | |
|----------------------|--------|
| Lamp mercury content | 4.6 mg |
|----------------------|--------|

Temperatures

| | |
|--|---------|
| Rated ambient temp.w.max.luminous flux | 25.0 °C |
|--|---------|

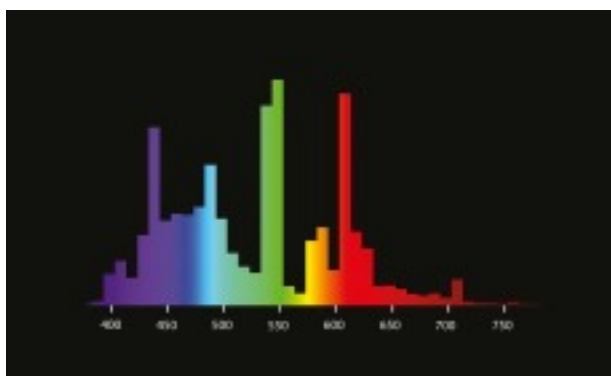
Lifespan

| | |
|--|-----------------------|
| Service life | 16000 h ¹⁾ |
| Lifespan | 20000 h ¹⁾ |
| Rated lamp survival factor at 2,000 h | 0.99 |
| Rated lamp survival factor at 4,000 h | 0.99 |
| Rated lamp survival factor at 6,000 h | 0.99 |
| Rated lamp survival factor at 8,000 h | 0.99 |
| Rated lamp survival factor at 12,000 h | 0.90 |
| Operation mode LLMF/LSF | 50 Hz |

¹⁾ With preheat ECG

Additional product data

| | |
|-----------------------------------|-----|
| Base (standard designation) | G13 |
| Appropriate disposal acc. to WEEE | Yes |



Spectral power distribution

Capabilities

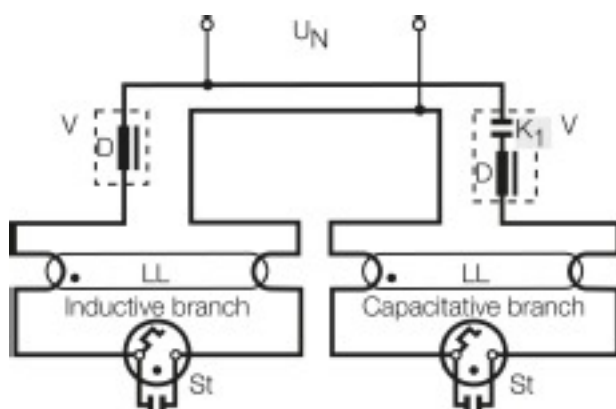
| | |
|---------------------|-----|
| Suitable for indoor | Yes |
|---------------------|-----|

Certificates & standards

| | |
|--------------------|---|
| EEI - Energy Label | B |
|--------------------|---|

Safety advice

In case of lamp breakage: www.osram.com/brokenlamp



Circuit diagram

Logistical Data

| Product code | Packaging unit (Pieces/Unit) | Dimensions (height x width x length) | Gross weight | Volume |
|---------------|---------------------------------|---|--------------|------------------------|
| 4008321090034 | Sleeves 1 | 27 mm x 27 mm x 1515 mm | 232.00 g | 1.10 dm ³ |
| 4008321090041 | Shipping carton box 25 | 147 mm x 845 mm x 853 mm | 6679.00 g | 105.96 dm ³ |

References / Links

For more information on QUICKTRONIC electronic control gear go to

▶ www.osram.com/QUICKTRONIC

Disclaimer

Subject to change without notice. Errors and omission excepted. Always make sure to use the most recent release.