

## AQUALED 4WV

---

AQUALED | Outdoor LED flood- and spotlights



- Ideal for marking walkways and for gardens (stainless steel version)
- Swimming pools up to 3 m deep (stainless steel version)

### Product benefits

---

- Presents surroundings in a special light

### Product features

---

- Recessed floor luminaire for decoration and orientation
- Fixing ring in chrome and granite look or stainless steel



## Technical data

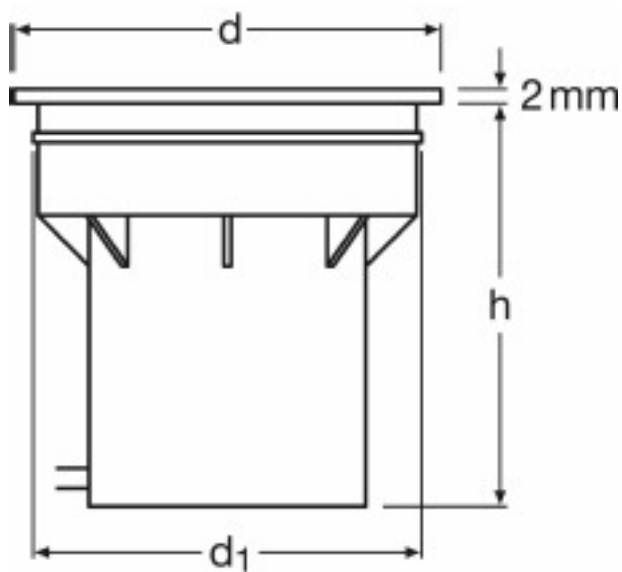
---

### Electrical data

Operating mode	Electronic control gear (ECG)
Nominal wattage	0.40 W
Lamp wattage	0.4 W

### Dimensions & weight

Length	85.0 mm
Width	85.0 mm
Diameter	88.0 mm
Height	84.0 mm



*Prod.line drw, front, mixed dimensions*

### Colors & materials

Body material	Aluminum/Plastic
---------------	------------------

**Colors & materials**

Product color	Black/Silver
Cover material	Polymer

**Additional product data**

Number of lighting outlets	4
Equipment	LED module with 4X LED OSRAM TOPLED
New article	NEW

**Capabilities**

Type of installation	Recessed mounting
Type of connection	Fixed (cutting terminal)

**Certificates & standards**

Protection class	insulation class III (safety extra-low voltage)
Type of protection	IP68
Protection against ignition and fire	F

**Country specific categorizations**

Order reference	47005-74
-----------------	----------

## Equipment / Accessories

---

- Equipped with 4 TOPLED white or blue
- Suitable drivers: OT 06/200-240/10 or OT 12/230-240/10 (not included)
- Maximum of 24 AQUALED units or 8 m power cable

**Logistical Data**

---

<b>Product code</b>	<b>Packaging unit (Pieces/Unit)</b>	<b>Dimensions (height x width x length)</b>	<b>Gross weight</b>	<b>Volume</b>
4008321100276	Unpacked 1	102 mm x 97 mm x 109 mm	231.80 g	1.08 dm <sup>3</sup>
4008321100283	Shipping carton box 4	180 mm x 100 mm x 185 mm	1035.33 g	3.33 dm <sup>3</sup>

---

## Disclaimer

---

Subject to change without notice. Errors and omission excepted. Always make sure to use the most recent release.