

L 18 W/830

LUMILUX XT T8 | Tubular fluorescent lamps 26 mm, with G13 bases, long life



- Installations where relamping would disturb normal operations
- Street lighting
- Public buildings
- Industry
- Shops
- Supermarkets and department stores

Product benefits

- Much lower total cost of ownership (TCO) compared with T8 LUMILUX lamps
- Service life 2.3 times higher than that of a standard LUMILUX lamp
- Longer standard life time, so fewer lamps for waste disposal

Product features

- Extremely reliable: long life, low premature failure rate, 90 % luminous flux throughout their life
- Service life: up to 42,000 h on preheat ECGs or up to 35,000 h on CCGs
- Good color rendering group: 1B (R_a : 80...89)
- Dimmable (for details see the Technical Guide)
- Top-quality three-band phosphor: LUMILUX



Technical data

Electrical data

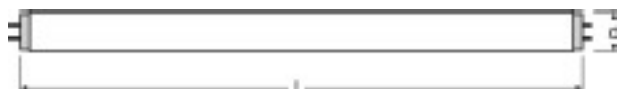
Nominal wattage	18 W
Rated lamp efficacy (HF data)	Under clarification by authority and standardization body
Rated lamp efficacy (standard condition)	75 lm/W
Rated wattage	18 W
Lamp current	0.37 A

Light technical data

Color rendering index Ra	>=80
Rated luminous flux	1350 lm
Luminous flux at 25 °C	1350 lm
Light color	830
Color temperature	3000 K
Nominal luminous flux	1350 lm
Light color as per EN 12464-1	LUMILUX Warm White
Rated LLMF at 2,000 h	0.95
Rated LLMF at 4,000 h	0.92
Rated LLMF at 6,000 h	0.91
Rated LLMF at 8,000 h	0.90
Rated LLMF at 12,000 h	0.89
Rated LLMF at 16,000 h	0.88
Rated LLMF at 20,000 h	0.87
Color coordinates chromaticity diagram	0.44/0.403

Dimensions & weight

Tube diameter	26 mm
Length	590.0 mm
Length with base excl. base pins/connection	590.00 mm
Diameter	26.0 mm



Product line drawing with letters

Colors & materials

Lamp mercury content	4.6 mg
----------------------	--------

Temperatures

Rated ambient temp.w.max.luminous flux	25.0 °C
--	---------

Lifespan

Service life	42000 h ¹⁾
Lifespan	50000 h ¹⁾
Rated lamp survival factor at 2,000 h	0.99
Rated lamp survival factor at 4,000 h	0.99
Rated lamp survival factor at 6,000 h	0.99
Rated lamp survival factor at 8,000 h	0.99
Rated lamp survival factor at 12,000 h	0.99
Rated lamp survival factor at 16,000 h	0.98

Lifespan

Rated lamp survival factor at 20,000 h	0.93
Operation mode LLMF/LSF	50 Hz

¹⁾ With preheat ECG

Additional product data

Base (standard designation)	G13
Appropriate disposal acc. to WEEE	Yes

Capabilities

Suitable for indoor	Yes
---------------------	-----

Certificates & standards

EEI – Energy Label	A
--------------------	---

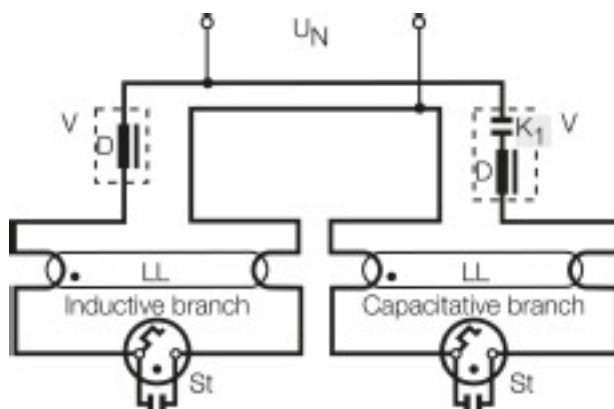
System guarantee

OSRAM System+ Guarantee in combination with OSRAM ECGs

Safety advice

In case of lamp breakage: www.osram.com/brokenlamp

Fixture must be cleaned regularly to avoid loss of luminous flux.



Circuit diagram

Logistical Data

Product code	Packaging unit (Pieces/Unit)	Dimensions (height x width x length)	Gross weight	Volume
4008321209085	Sleeves 1	27 mm x 27 mm x 605 mm	97.00 g	0.44 dm ³
4008321209092	Shipping carton box 25	145 mm x 309 mm x 495 mm	2625.00 g	22.18 dm ³

References / Links

For more information on the system guarantee and the terms and conditions of the guarantee visit

- ▶ www.osram.com/system-guarantee

For more information on QUICKTRONIC electronic control gear go to

- ▶ www.osram.com/QUICKTRONIC

Disclaimer

Subject to change without notice. Errors and omission excepted. Always make sure to use the most recent release.