

PARATHOM PAR16 20 35° 5 W/740 GU10

PARATHOM PAR16 | LED reflector lamps PAR16 with retrofit pin base



- Spotlighting for accents
- Display cabinets and shop windows
- Retail outlets and exhibition rooms
- Spotlighting heat-sensitive objects such as food, plants, etc.
- Outdoor use in outdoor luminaires only (minimum IP65)
- Directional light sources
- Hospitality
- Shops

Product benefits

- Very low energy consumption
- Extremely long life
- Robust against vibrations
- No UV and near-IR radiation in the light beam
- Professional thermal management

Product features

- Professional LED lamps for line voltage
- Not dimmable
- Base: GU10
- Lifetime: up to 25,000 h
- Mercury-free lamps



Technical data

Electrical data

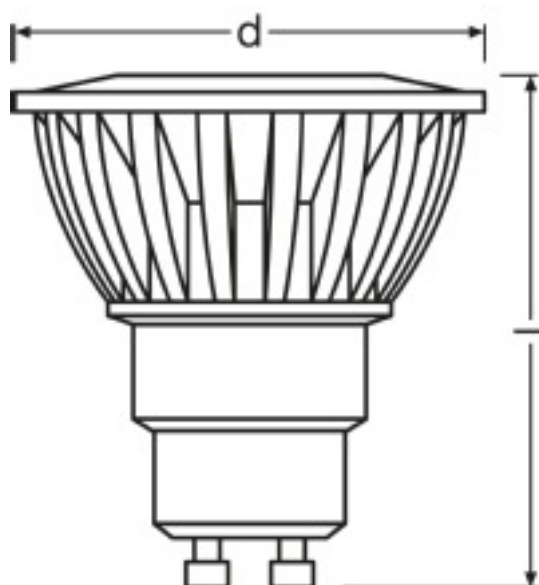
Rated wattage	5 W
Nominal wattage	5 W
Nominal voltage	230 V
Claimed equiv. conventional lamp power	20 W
Power factor λ	0.50
Operating frequency	50...60 Hz

Light technical data

Beam angle	35 °
Luminous intensity	600 cd
Nominal luminous flux	230 lm
Rated luminous flux	230 lm
Color temperature	4000 K
Color rendering index Ra	75
Starting time	0.0 s
Warm-up time (60 %)	0 s
Lumen main.fact.at end of nom.life time	0.70
Light color as per EN 12464-1	Cool White

Dimensions & weight

Overall length	57.0 mm
Diameter	50.0 mm
Outer bulb	PAR51



Product line drawing with letters

Colors & materials

Lamp mercury content	0.0 mg
Mercury-free	Yes

Lifespan

Nominal lamp life time	25000 h
Rated lamp life time	25000 h
Number of switching cycles	100000

Additional product data

Base (standard designation)	GU10
-----------------------------	------

Additional product data

Footnote used only for product	All technical parameters apply to the entire lamp/Due to the complex production process for light-emitting diodes, the typical values shown for the technical LED parameters are purely statistical values that do not necessarily match the actual technical parameters of each individual product, which can vary from the typical value
---------------------------------------	--

Capabilities

Dimmable	No
-----------------	----

Country specific categorizations

ILCOS	DRPAR-5-220/240-GU10-50/35
--------------	----------------------------

References / Links

For further products and actual information concerning LED lamps see

- ▶ www.osram.com/ledlamps

For Guarantee see

- ▶ www.osram.com/guarantee

Disclaimer

Subject to change without notice. Errors and omission excepted. Always make sure to use the most recent release.