

## L 36 W/930

---

LUMILUX DE LUXE T8 | Tubular fluorescent lamps 26 mm, with G13 bases



- Ideal where color rendering is an important factor
- Public buildings
- Shops
- Supermarkets and department stores
- Industry

---

### Product benefits

- Excellent color rendering
- Natural colors
- Available in many different light colors (3,000...6,500 K) for every application and preference
- High luminous flux

---

### Product features

- Very good color rendering group: 1A ( $R_a : \geq 90$ )
- Long service life: up to 16,000 h (with preheat ECG)
- Dimmable



## Technical data

---

### Electrical data

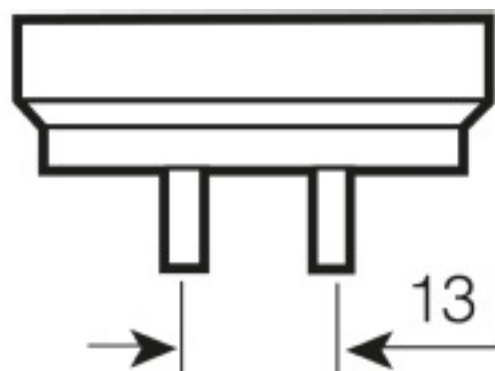
Nominal wattage	36 W
Rated lamp efficacy (HF data)	Under clarification by authority and standardization body
Rated lamp efficacy (standard condition)	75 lm/W
Rated wattage	36 W

### Light technical data

Color rendering index Ra	>=90
Rated luminous flux	2700 lm
Luminous flux at 25 °C	2700 lm
Light color	930
Color temperature	3000 K
Nominal luminous flux	2700 lm
Light color as per EN 12464-1	LUMILUX DE LUXE Warm White
Rated LLMF at 2,000 h	0.92
Rated LLMF at 4,000 h	0.90
Rated LLMF at 6,000 h	0.88
Rated LLMF at 8,000 h	0.86
Rated LLMF at 12,000 h	0.85
Color coordinates chromaticity diagram	0.436/0.399

### Dimensions & weight

Tube diameter	26 mm
Length	1200.0 mm
Length with base excl. base pins/connection	1200.00 mm
Diameter	26.0 mm



G13  
IEC 7004-51  
DIN 49653 T1

Product line drawing with letters

Base

### Colors & materials

Lamp mercury content	4.6 mg
----------------------	--------

### Temperatures

Rated ambient temp.w.max.luminous flux	25.0 °C
--	---------

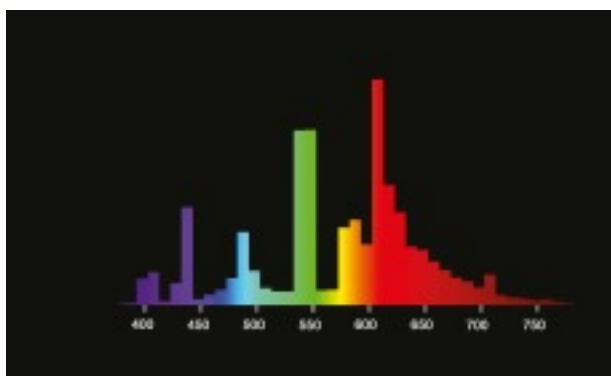
### Lifespan

Service life	16000 h <sup>1)</sup>
Lifespan	20000 h <sup>1)</sup>
Rated lamp survival factor at 2,000 h	0.99
Rated lamp survival factor at 4,000 h	0.99
Rated lamp survival factor at 6,000 h	0.99
Rated lamp survival factor at 8,000 h	0.99
Rated lamp survival factor at 12,000 h	0.90
Operation mode LLMF/LSF	50 Hz

<sup>1)</sup> With preheat ECG

**Additional product data**

Base (standard designation)	G13
Appropriate disposal acc. to WEEE	Yes



*Spectral power distribution*

**Capabilities**

Suitable for indoor	Yes
---------------------	-----

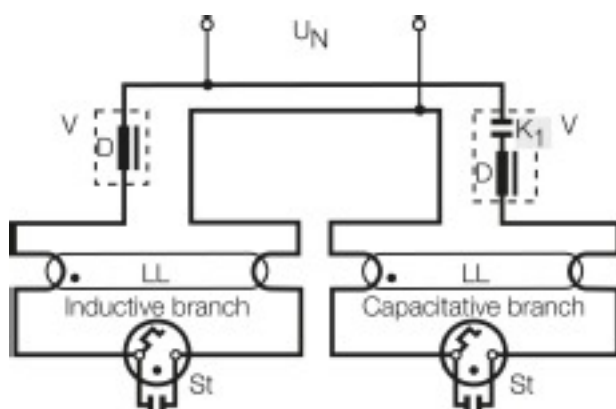
**Certificates & standards**

EEI - Energy Label	B
--------------------	---

## Safety advice

---

In case of lamp breakage: [www.osram.com/brokenlamp](http://www.osram.com/brokenlamp)



---

Circuit diagram

**Logistical Data**

Product code	Packaging unit (Pieces/Unit)	Dimensions (height x width x length)	Gross weight	Volume
4050300011318	Sleeves 1	27 mm x 27 mm x 1215 mm	166.00 g	0.89 dm <sup>3</sup>
4050300236476	Shipping carton box 25	145 mm x 282 mm x 1110 mm	5450.00 g	45.39 dm <sup>3</sup>

## References / Links

---

For more information on QUICKTRONIC electronic control gear go to

▶ [www.osram.com/QUICKTRONIC](http://www.osram.com/QUICKTRONIC)

## Disclaimer

---

Subject to change without notice. Errors and omission excepted. Always make sure to use the most recent release.