

L 58 W/940

LUMILUX DE LUXE T8 | Tubular fluorescent lamps 26 mm, with G13 bases



- Ideal where color rendering is an important factor
- Public buildings
- Shops
- Supermarkets and department stores
- Industry

Product benefits

- Excellent color rendering
- Natural colors
- Available in many different light colors (3,000...6,500 K) for every application and preference
- High luminous flux

Product features

- Very good color rendering group: 1A ($R_a : \geq 90$)
- Long service life: up to 16,000 h (with preheat ECG)
- Dimmable



Technical data

Electrical data

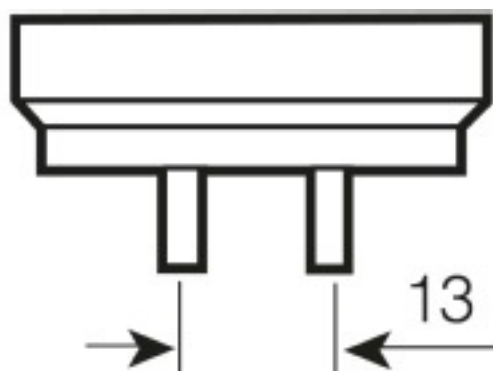
Nominal wattage	58 W
Rated lamp efficacy (HF data)	Under clarification by authority and standardization body
Rated lamp efficacy (standard condition)	79 lm/W
Rated wattage	58 W

Light technical data

Color rendering index Ra	>=90
Rated luminous flux	4600 lm
Luminous flux at 25 °C	4600 lm
Light color	940
Color temperature	4000 K
Nominal luminous flux	4600 lm
Light color as per EN 12464-1	LUMILUX DE LUXE Cool White
Rated LLMF at 2,000 h	0.92
Rated LLMF at 4,000 h	0.90
Rated LLMF at 6,000 h	0.88
Rated LLMF at 8,000 h	0.86
Rated LLMF at 12,000 h	0.85
Color coordinates chromaticity diagram	0.386/0.374

Dimensions & weight

Tube diameter	26 mm
Length	1500.0 mm
Length with base excl. base pins/connection	1500.00 mm
Diameter	26.0 mm



G13
IEC 7004-51
DIN 49653 T1

Product line drawing with letters

Base

Colors & materials

Lamp mercury content	4.6 mg
----------------------	--------

Temperatures

Rated ambient temp.w.max.luminous flux	25.0 °C
--	---------

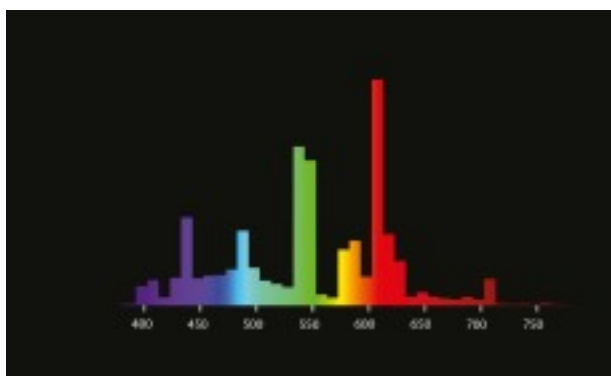
Lifespan

Service life	16000 h ¹⁾
Lifespan	20000 h ¹⁾
Rated lamp survival factor at 2,000 h	0.99
Rated lamp survival factor at 4,000 h	0.99
Rated lamp survival factor at 6,000 h	0.99
Rated lamp survival factor at 8,000 h	0.99
Rated lamp survival factor at 12,000 h	0.90
Operation mode LLMF/LSF	50 Hz

¹⁾ With preheat ECG

Additional product data

Base (standard designation)	G13
Appropriate disposal acc. to WEEE	Yes



Spectral power distribution

Capabilities

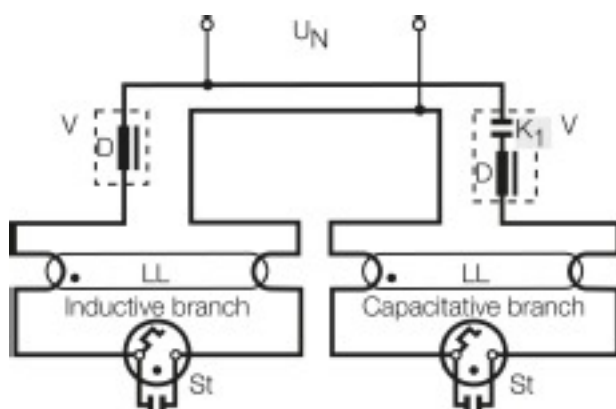
Suitable for indoor	Yes
---------------------	-----

Certificates & standards

EEI - Energy Label	B
--------------------	---

Safety advice

In case of lamp breakage: www.osram.com/brokenlamp



Circuit diagram

Logistical Data

Product code	Packaging unit (Pieces/Unit)	Dimensions (height x width x length)	Gross weight	Volume
4050300011356	Sleeves 1	36 mm x 30 mm x 1515 mm	232.00 g	1.64 dm ³
4050300236483	Shipping carton box 25	145 mm x 427 mm x 1267 mm	6270.00 g	78.45 dm ³

References / Links

For more information on QUICKTRONIC electronic control gear go to

▶ www.osram.com/QUICKTRONIC

Disclaimer

Subject to change without notice. Errors and omission excepted. Always make sure to use the most recent release.