

## L 18 W/60

---

Colored T8 | Tubular fluorescent lamps 26 mm, with G13 bases, colored



- Decorative applications
- Shops
- Supermarkets and department stores
- Restaurants
- Hotels
- Accent lighting

### Product benefits

---

- Ideal for cost-effective creative illumination and decoration
- Uniform light along the entire length of the lamp

### Product features

---

- Average life time: 20,000 h with preheat ECG
- Dimmable



## Technical data

---

### Electrical data

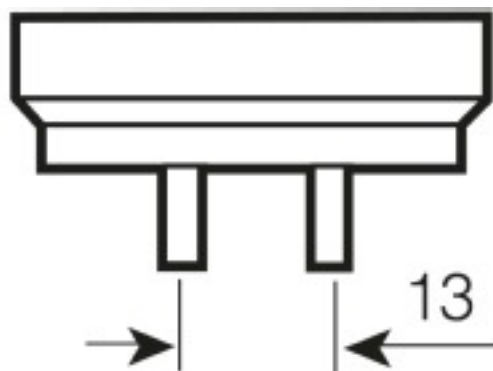
Nominal wattage	18 W
Rated lamp efficacy (HF data)	Under clarification by authority and standardization body
Rated wattage	18 W

### Light technical data

Luminous flux at 25 °C	900 lm
Light color	60
Light color as per EN 12464-1	Red

### Dimensions & weight

Tube diameter	26 mm
Length	590.0 mm
Length with base excl. base pins/connection	590.00 mm
Diameter	26.0 mm



G13  
IEC 7004-51  
DIN 49653 T1

Product line drawing with letters

Base

#### Colors & materials

Lamp mercury content	3.0 mg
----------------------	--------

#### Lifespan

Service life	18000 h <sup>1)</sup>
Lifespan	20000 h <sup>1)</sup>

<sup>1)</sup> With preheat ECG

#### Additional product data

Base (standard designation)	G13
Appropriate disposal acc. to WEEE	Yes

#### Certificates & standards

EEI - Energy Label	-
--------------------	---

## System guarantee

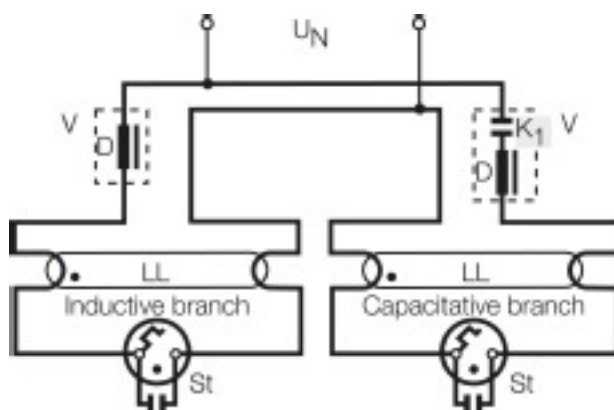
---

OSRAM System+ Guarantee in combination with OSRAM ECGs

## Safety advice

---

In case of lamp breakage: [www.osram.com/brokenlamp](http://www.osram.com/brokenlamp)



Circuit diagram

**Logistical Data**

Product code	Packaging unit (Pieces/Unit)	Dimensions (height x width x length)	Gross weight	Volume
4050300024219	Sleeves 1	28 mm x 28 mm x 606 mm	95.33 g	0.48 dm <sup>3</sup>
4008321205032	Shipping carton box 10	153 mm x 65 mm x 635 mm	1120.50 g	6.32 dm <sup>3</sup>

## References / Links

---

For more information on the system guarantee and the terms and conditions of the guarantee visit

- ▶ [www.osram.com/system-guarantee](http://www.osram.com/system-guarantee)

For more information on QUICKTRONIC electronic control gear go to

- ▶ [www.osram.com/QUICKTRONIC](http://www.osram.com/QUICKTRONIC)

## Disclaimer

---

Subject to change without notice. Errors and omission excepted. Always make sure to use the most recent release.