

## L BIOLUX 30 W/965

---

BIOLUX T8 | Tubular fluorescent lamps 26 mm, with G13 bases, for animal rearing



- Excellent for raising small animals

### Product benefits

---

- Emit a daylight white light that gives your animals a sense of natural sunlight

### Product features

---

- Very good color rendering group: 1A ( $R_a : \geq 90$ )



## Technical data

---

### Electrical data

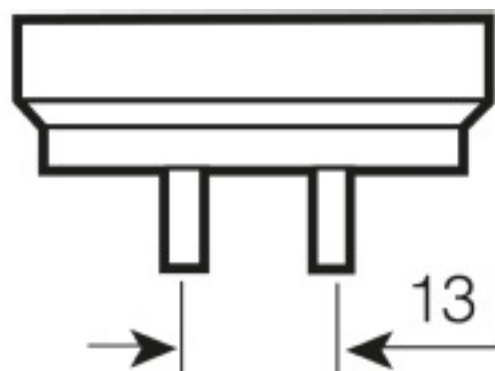
Nominal wattage	30 W
Rated lamp efficacy (HF data)	Under clarification by authority and standardization body
Rated lamp efficacy (standard condition)	53 lm/W
Rated wattage	30 W

### Light technical data

Color rendering index Ra	>=95
Rated luminous flux	1600 lm
Luminous flux at 25 °C	1600 lm
Light color	965
Color temperature	6500 K
Nominal luminous flux	1600 lm
Rated LLMF at 2,000 h	0.89
Rated LLMF at 4,000 h	0.87
Rated LLMF at 6,000 h	0.82
Rated LLMF at 8,000 h	0.80
Rated LLMF at 12,000 h	0.78
Color coordinates chromaticity diagram	0.342/0.348

### Dimensions & weight

Tube diameter	26 mm
Length	895.0 mm
Length with base excl. base pins/connection	895.00 mm
Diameter	26.0 mm



G13  
IEC 7004-51  
DIN 49653 T1

Product line drawing with letters

Base

### Colors & materials

Lamp mercury content	4.6 mg
----------------------	--------

### Temperatures

Rated ambient temp.w.max.luminous flux	25.0 °C
--	---------

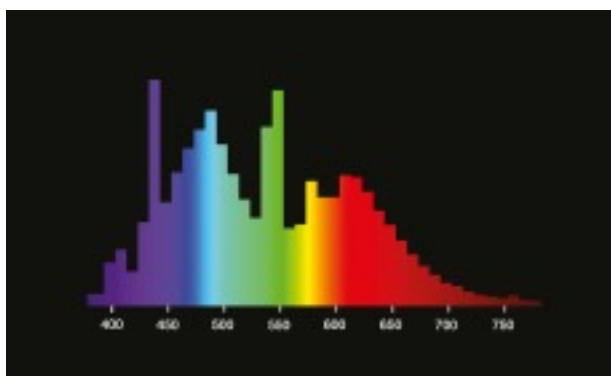
### Lifespan

Service life	16000 h <sup>1)</sup>
Lifespan	20000 h <sup>1)</sup>
Rated lamp survival factor at 2,000 h	0.99
Rated lamp survival factor at 4,000 h	0.99
Rated lamp survival factor at 6,000 h	0.99
Rated lamp survival factor at 8,000 h	0.99
Rated lamp survival factor at 12,000 h	0.90
Operation mode LLMF/LSF	50 Hz

<sup>1)</sup> With preheat ECG

**Additional product data**

Base (standard designation)	G13
Appropriate disposal acc. to WEEE	Yes



*Spectral power distribution*

**Capabilities**

Suitable for indoor	Yes
---------------------	-----

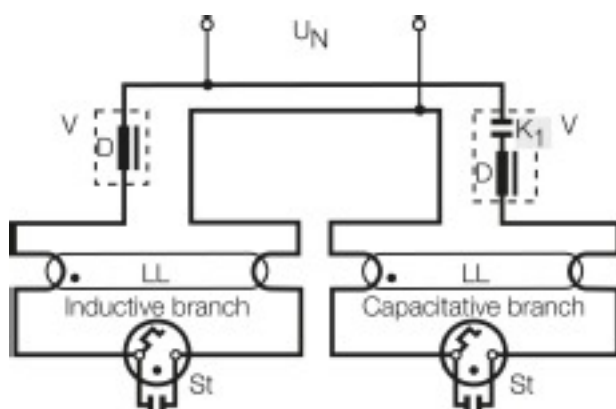
**Certificates & standards**

EEI - Energy Label	B
--------------------	---

## Safety advice

---

In case of lamp breakage: [www.osram.com/brokenlamp](http://www.osram.com/brokenlamp)



---

Circuit diagram

## References / Links

---

For more information on QUICKTRONIC electronic control gear go to

▶ [www.osram.com/QUICKTRONIC](http://www.osram.com/QUICKTRONIC)

## Disclaimer

---

Subject to change without notice. Errors and omission excepted. Always make sure to use the most recent release.