

## Male connector, field-attachable

### V17S-G-PG9

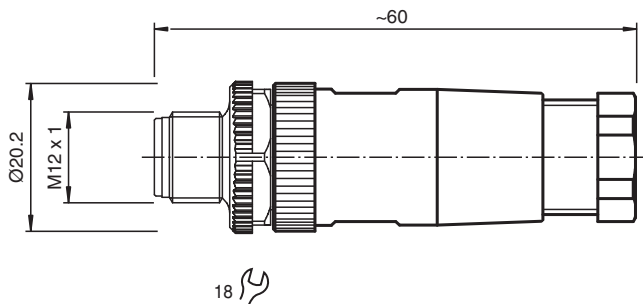


- Screw terminal connection
- Metal locking
- Knurled nut suitable for tool assembly
- cURus approval

Male connector M12 straight A-coded 8-pin, for cable diameter 6 - 8 mm, field-attachable



### Product Photo



### Technical Data

#### General specifications

Connector 1		
Connection	plug	
Construction type	M12	
Style	straight	
Locking	screw connection	
Number of pins	8	
Coding	A-coded	
UL File Number	E363587	

#### Electrical specifications

Operating voltage	$U_B$	max. 30 V AC/DC
Operating current	$I_B$	max. 1.5 A
Insulation resistance		min. 100 M $\Omega$

#### Conformity

Degree of protection	EN 60529	
Plug connection	connector M12 x 1 : IEC 61076-2-101	

#### Ambient conditions

Release date: 2021-12-08 Date of issue: 2021-12-08 Filename: 199930\_eng.pdf

Refer to "General Notes Relating to Pepperl+Fuchs Product Information".

## Technical Data

Ambient temperature	-40 ... 85 °C (-40 ... 185 °F)
Pollution degree	3
<b>Mechanical specifications</b>	
Plug connector	
Tightening torque	0.6 Nm
Tool installation	straight knurling , hexagon nut SW = 18 mm
Mating cycles	min. 100
Degree of protection	IP67
Connection	screw terminals for max. 0.5 mm <sup>2</sup> / AWG 20
Cable	
Sheath diameter	6 ... 8 mm
Mass	21.2 g
<b>Material</b>	
Plug connector	
Screw connection	CuZn, nickel-plated
Body	PA, black
Contact surface	Au

## Connection Assignment

