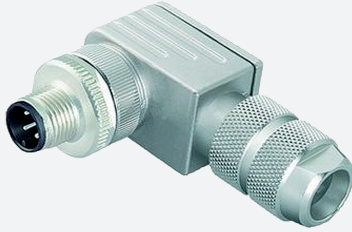


Male connector, field-attachable

V15SB-W-ABG-PG9

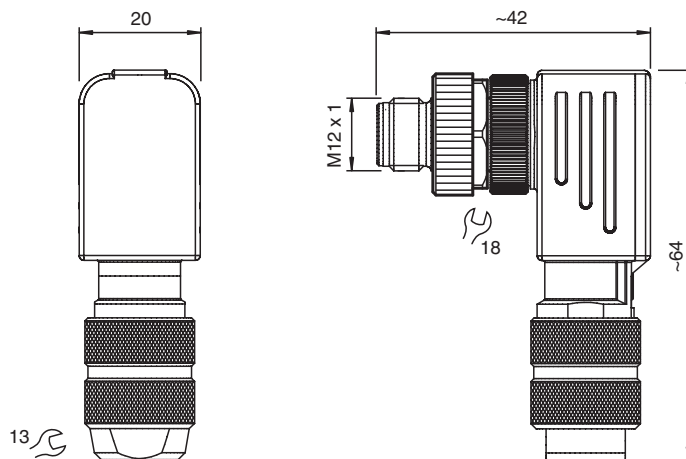


- B-coding for PROFIBUS
- Field-attachable, shieldable
- Metal housing
- Iris spring shielding
- cURus approval

Male connector M12 angled B-coded 5-pin, for cable diameter 5 - 8 mm, shielded, field-attachable



Dimensions



Technical Data

General specifications

Connector 1		
Connection	plug	
Construction type	M12	
Style	angled	
Locking	screw connection	
Number of pins	5	
Coding	B-coded	
Customization	Coding rotateable in steps of 90°	
UL File Number	E363587	

Electrical specifications

Operating voltage	U_B	max. 48 V AC / 60 V DC
Operating current	I_B	max. 4 A
Insulation resistance	min. 10000 MΩ	

Conformity

Degree of protection	EN 60529	
Plug connection	connector M12 x 1 : IEC 61076-2-101	

Release date: 2021-12-08 Date of issue: 2021-12-08 Filename: 211366_eng.pdf

Refer to "General Notes Relating to Pepperl+Fuchs Product Information".

Technical Data

Ambient conditions	
Ambient temperature	-40 ... 85 °C (-40 ... 185 °F)
Pollution degree	3
Mechanical specifications	
Plug connector	
Tightening torque	0.6 Nm
Tool installation	straight knurling , hexagon nut SW = 18 mm
Mating cycles	min. 50
Shielding	iris spring shielding
Degree of protection	IP67
Connection	screw terminals for max. 0.75 mm ² / AWG 18
Cable	
Sheath diameter	5 ... 8 mm
Mass	68.14 g
Material	
Plug connector	
Screw connection	Zinc diecast, nickel-plated
Body	Zinc diecast, nickel-plated
Contact surface	Au

Connection Assignment

