



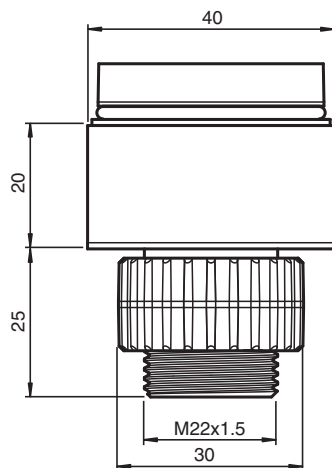
## Stack light assembly mounting

### VAZ-MH-SHM-40MM

- Modular design
- 40-mm-series

Adapter for single-hole mounting

## Dimensions



## Technical Data

### General specifications

Color grey

### Ambient conditions

Ambient temperature -30 ... 60 °C (-22 ... 140 °F)

### Mechanical specifications

Degree of protection	IP66
Cable entry	Through hole
Material	PC
Cable	
Sheath diameter	max. 9 mm
Mass	30 g
Mounting	Single-hole mounting

Release date: 2020-06-29 Date of issue: 2020-06-29 Filename: 324830\_eng.pdf

Refer to "General Notes Relating to Pepperl+Fuchs Product Information".

Pepperl+Fuchs Group  
www.pepperl-fuchs.com



USA: +1 330 486 0001  
fa-info@us.pepperl-fuchs.com

Germany: +49 621 776 1111  
fa-info@de.pepperl-fuchs.com

Singapore: +65 6779 9091  
fa-info@sg.pepperl-fuchs.com

**PF** PEPPERL+FUCHS

**Matching system components**

	<b>VAZ-CLAMP-40MM-IO</b>	Signal tower connection element IO-Link with cover
	<b>VAZ-CLAMP-40MM</b>	Stack light terminal base with cover plate