



MASTER LEDspot ExpertColor LV

MASTER LED MR16 ExpertColor 7.2-50W 927 36D

MASTER LEDspot LV ExpertColor creates a warm and comfortable ambience for hospitality venues, homes and restaurants. It creates such an ambience with superior lighting that has a customized spectrum, high CRI, and deep dimming feature. The result? A beautiful lighting experience. What's more, the innovative, trimless lens design will suit almost any interior decor with its clean and neat look. In addition, you can take advantage of the full ExpertColor family, which also includes LEDspot MV and LEDspot Par lamps.

Product data

General Information	
Cap-Base	GU5.3 [GU5.3]
Nominal Lifetime (Nom)	40000 h
Switching Cycle	50000X
Technical Type	7.2-50W
Light Technical	
Color Code	927
Beam Angle (Nom)	36 °
Luminous Flux (Nom)	450 lm
Luminous Flux (Rated) (Nom)	450 lm
Luminous Intensity (Nom)	1350 cd
Color Designation	Warm White (WW)
Rated Beam Angle	36 °
Correlated Color Temperature (Nom)	2700 K
Luminous Efficacy (rated) (Nom)	62.50 lm/W
Color Consistency	<3

Color Rendering Index (Nom)	97
LLMF At End Of Nominal Lifetime (Nom)	70 %
Operating and Electrical	
Power (Rated) (Nom)	7.2 W
Lamp Current (Nom)	800 mA
Wattage Equivalent	50 W
Starting Time (Nom)	0.5 s
Warm Up Time To 60% Light (Nom)	1 s
Power Factor (Nom)	0.7
Voltage (Nom)	12 V
Temperature	
T-Case Maximum (Nom)	92 °C

MASTER LEDspot ExpertColor LV

Controls and Dimming

Dimmable Yes

Approval and Application

Energy Saving Product Yes

Suitable For Accent Lighting Yes

Product Data

Full product code 871869657183500

Order product name MASTER LED MR16 ExpertColor 7.2-50W 927 36D

EAN/UPC - Product 8718696571835

Order code 929001242508

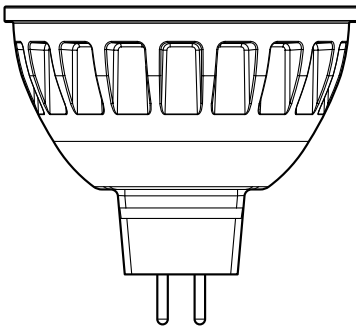
Numerator - Quantity Per Pack 1

Numerator - Packs per outer box 10

Material Nr. (12NC) 929001242508

Net Weight (Piece) 0.034 kg

Dimensional drawing



Product	D	C
MAS LED MR16 ExpertColor 7.2-50W 927 36D	51 mm	46 mm

MR16 12V 7.2-50W 420lm 36D 2700K GU5.3 D

Photometric data

